

Tips & Tricks for the synOcta[®] Cementable Abutment

The simplicity of a well-thought-out product sold hundreds of thousands worldwide. Work with a best-seller that has a proven track record of success.

For cement-retained crowns and bridges

- in combination with implant shoulders of \varnothing 4.8 mm RN and \varnothing 6.5 mm WN
- can be shortened on the master cast by a maximum of 2.0 mm.



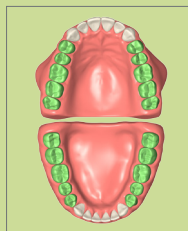
implant shoulders
 \varnothing 4.8 mm RN
(048.605)



implant shoulders
 \varnothing 6.5 mm WN
(048.606)

WHERE TO USE?

Especially suited for all standard cases such as pre-molar, molar or teeth with straight axis



What for?	Single unit	Multi-unit
Workflow	Traditional	Digital
Platform	RN	WN

Coming soon!

ASSOCIATED PRODUCTS



Art. No. 048.662
RN synOcta Plastic Coping
without internal octagon for
bridge, for use with 048.605



Art. No. 048.663
RN synOcta Plastic Coping
with internal octagon for
crown, for use with 048.605



Art. No. 048.244
WN synOcta Plastic Coping
without internal octagon for
bridge, for use with 048.606



Art. No. 048.243
WN synOcta Plastic Coping
with internal octagon for
crown, for use with 048.606

TIPS FOR THE LAB TECHNICIAN

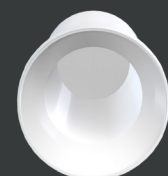
- You can cement any type of material on top of the synOcta[®] cementable abutment. This gives you full flexibility to restore crowns, build bridges and even correct small divergences.
- To keep the advantageous screw freedom functionality after the shortening process, you can proceed with thorough cleaning of any parts and dust.
- When using the burn-out coping, do not forget to remove the snap-on lip after the casting procedure. This is an important step that can prevent the destruction of your restoration.
- Avoid mixing copings for crowns and bridges. Their inner design will help you notice the difference.
- If you need to reduce the abutment height, you can temporarily seal the occlusal opening with wax or plastic. Waxing-up then takes place directly over the plastic coping

Coping
for crown



Inner geometry
of coping
enables casting
rotational lock
for crowns.....

Coping
for bridge



....and rotation
for bridges

INFORMATION ABOUT THE SYNOCTA® CEMENTABLE ABUTMENT

Made from 100% pure Ti grade 4

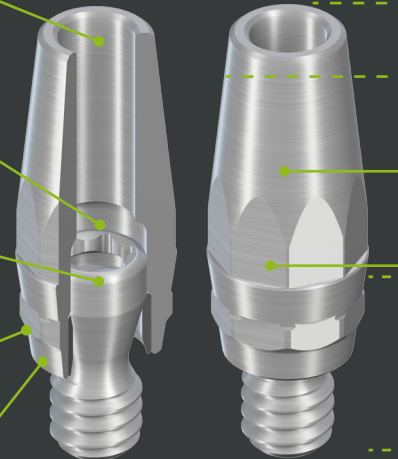


Perfect fit with the SCS screw-driver for unequalled comfort of use

Ready-to-use thanks to its integrated screw

synOcta® connection allows abutment repositioning

8° cone morse taper for reliable vertical positioning



Can be customized by trimming up to 2.0 mm

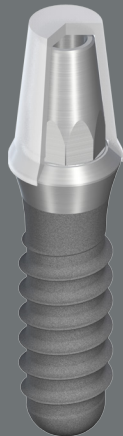
Straumann high-quality manufacturing with smooth surface

8 facets allowing positioning and retention of the crown



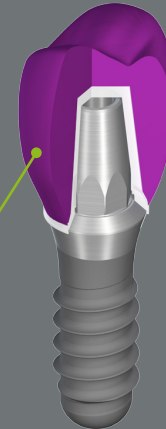
Rely on the Straumann original connection. Engineered according to exact knowledge of measurements and tolerances

FULLY SEALED, FULLY RELIABLE



Coping with snap-on lip feature for easy fixation

Crown sits on the implant shoulder. Cementation remains away from the bone thanks to the unique TL implant design



WORKFLOW SNAPSHOT



1
Start fabrication



2
Process copings



3
Invest your framework



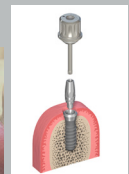
4
Remove the lip



5
Veneer your construction



6
Transfer position



7
Send restoration to dentist for final fitting



For more information, please refer to the step-by-step procedure "Basic Information on Straumann® synOcta® Prosthetic System" 152.255 or contact your Straumann® representative.